

RAM
FROM **TOWMATE**

GENERAL DUTY TRAILER

THE PRO RANGE





DEPENDABLE. VERSATILE. DURABLE.

The Ram General Duty Trailer. A universal solution for a variety of requirements.

Built from the ground up, the Ram general duty trailer is no pushover when it comes to hard work, sporting a tough galvanised steel frame and symbolising the durability and versatility you've come to expect from Towmate Trailers.

We've included some brand new innovations, that are unique to Towmate Trailers, including the pivot axle system, which prevents wheel and axle damage and ensures your axles are never overloaded. Also available is our unique hinged mesh sides,

which are completely removable and provide easy access via the sides of the trailer.

Built Rugged. Built For You.

With a choice of three different lengths; 8, 10, or 12 foot, three different widths; 4, 5 or 6 foot, and a range of weight capacities available, there is a general purpose trailer for any requirement.

RAM
FROM TOWMATE



RAM GENERAL DUTY TRAILER

RAISING THE STANDARD.

At the heart of the Ram is a trailer designed to provide a pleasant towing experience. Its standard features ensures the Ram is always competent in every situation.



▶ LED DUAL VOLTAGE LIGHTING

LED dual voltage lights are included as standard on our pro range of trailers. LED lights are more energy efficient, brighter and more resistant to shattering.



◀ MODULAR CHASSIS

Our modular chassis design allows complete customisation to your needs with options that are available for add-on in the future.



▶ SPARE WHEEL CARRIER

Mounted conveniently on the front headboard of the trailer. Lockable to increase security.

◀ HEAVY DUTY MUDGUARDS

Bespoke welded steel construction offers a load bearing surface and enhanced durability.





◀ **2.5T RATED LASHING POINTS**

8 lashing points, rated at 2.5t each provide multiple tie down points. Engineered so they tuck out of the way when not in use, these hooks provide a clear deck which is easy to clean.



◀ **INTEGRATED SIDE STEPS**

Made of heavy duty steel. Features bespoke high grip protrusions for safe access. The high grip steel surface also reduces slip hazards.

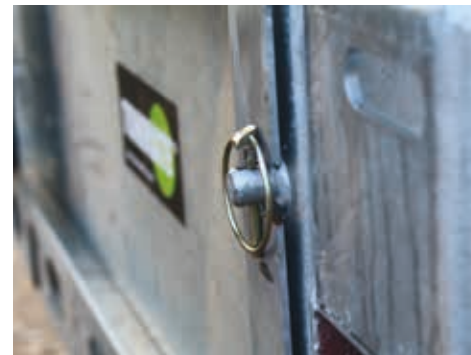
HEAVY DUTY RUNNING GEAR

The running gear is one of the key components to ensure your trailer runs as smoothly as possible. The Ram features standard 5-stud configuration hubs with a heavy duty SFL (sealed for life) bearing for durability and ease of maintenance.



◀ **STANDARD TAILGATE**

Our standard tailgate is manufactured from galvanised steel and quickly and easily secured on both sides by a lynch pin fastener.



◀ **340MM STEEL SIDES**

A full set of 340mm high sides constructed from galvanised steel, provides a strong, durable base for the mesh kit. Supports the carrying of a variety of loads.

RAM GENERAL DUTY TRAILER

DO IT BETTER.

The Ram general duty trailer has a variety of options available for upgrade or add on where needed. From our unique hinged mesh sides, to our 2-in-1 wheel nut indicator and retainer system - we've got you covered.

► UNIQUE HINGED MESH SIDES

Our mesh side kit includes a unique hinged system, designed and engineered by our in-house R&D team. Each panel secures and latches to a centre post using a robust system to ensure a quiet ride. Both sides and centre posts are completely removable without the use of any tools to transform the trailer for different uses. Made from galvanised steel for durability and strength.



◀ Here we can see the versatility these sides provide with easy access from either side for loading.



► REAR PROPSTANDS

Propstands provide added support to both trailer and ramp when loading heavy machinery and equipment from the rear



◀ MANUAL OR ELECTRIC WINCH

Manual or electric winch positioned either side of the trailer to ensure safe and easy use. Mounted low down with a roller guide it ensures practical loading all the way to the front of the bed.

► WHEELSENTRY INDICATORS

Our 2-in-1 wheel nut indicator and retainer system is available for add on to your Osprey rolling chassis trailers. Recommended to ensure reduced risk of wheel loss.





▲ **PIVOT AXLE SYSTEM**

This unique optional pivot axle system ensures that all four wheels always maintain contact with the surface of the road, avoiding circumstances which could cause the front or rear axles to become overloaded. It ensures a smooth and pleasant towing experience no matter what the terrain you are crossing. Scan the QR code to watch this incredible system in action!



▶ **FULL-WIDTH RAMP**

The Ram comes with three different ramp options: 1400mm full width, 1700mm full-width double angle or the standard tailgate. Our full-width ramps are gas-assisted.



▶ **GAS-ASSISTED RAMP**

The unique horizontal positioning of the gas struts ensures that they are safely out of harms way. The gas-assisted ramp means that lifting and lowering a full width ramp is now truly a one man operation.



◀ **RAMP FASTENER**

The threaded ramp fastener offers better holding than ACME thread with additional locking pin and rubber buffer for a safe and quiet ride.

▶ **IT'S YOUR CHOICE!**

Choose between a 40mm eye or a 50mm ball coupling at no extra cost! Our 50mm ball coupling comes with high security lock with extra peace of mind.



◀ **DOUBLE ANGLE RAMP**

The double angle ramp is a unique innovation which provides a smooth loading experience. The design softens the loading angle and removes the lurch when loading machinery.



TOWMATE

1.500i
178 YDB

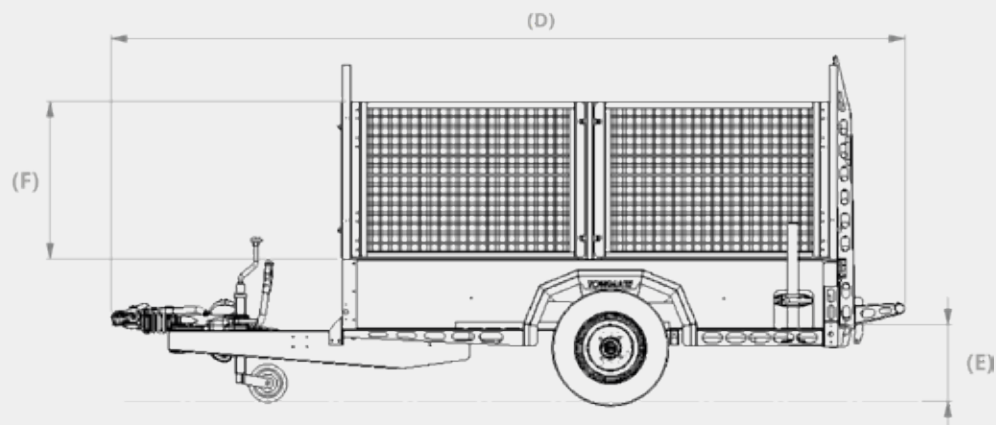
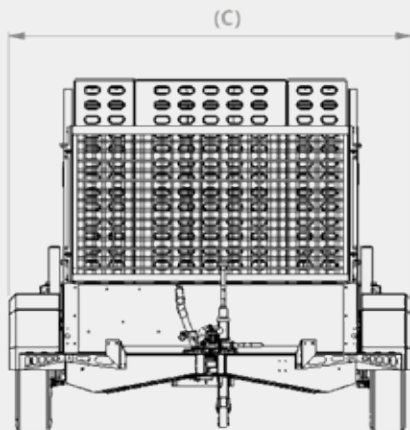
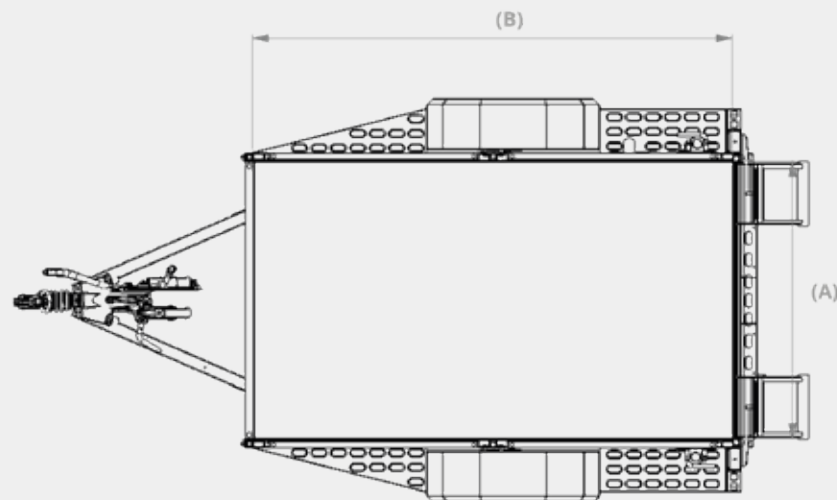
HAYTER

HAYTER

DIMENSIONS

SINGLE AXLE WITH MESH SIDES.

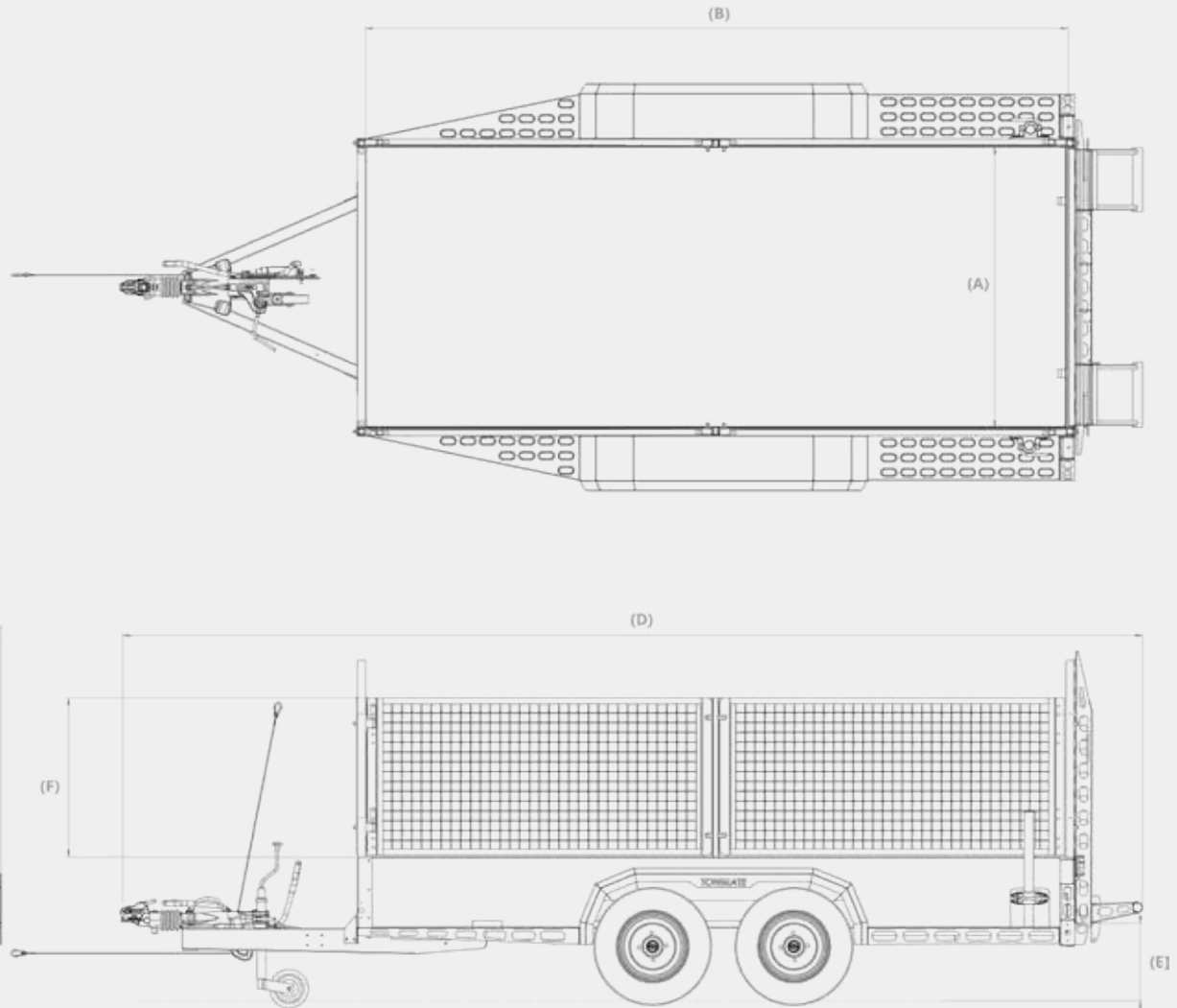
- (A) Internal Width (mm)
- (B) Internal Length (mm)
- (C) Overall Width (mm)
- (D) Overall Length (mm)
- (E) Bed Height (mm)
- (F) Mesh Side Kit Height (mm)



DIMENSIONS

TWIN AXLE.

- (A) Internal Width (mm)
- (B) Internal Length (mm)
- (C) Overall Width (mm)
- (D) Overall Length (mm)
- (E) Bed Height (mm)
- (F) Mesh Side Kit Height (mm)





TOWMATE

1.8001
178 YDB

HAYTER

HAYTER

TECHNICAL SPECIFICATION

8' LONG

	TXGD084-15	TXGD084-18	TXGD085-15	TXGD085-18	TXGD084-27	TXGD084-30	TXGD084-35	TXGD085-27	TXGD085-30	TXGD085-35
CAPACITY										
Gross (KG)	1500	1800	1500	1800	2700	3000	3500	2700	3000	3500
Payload KG (standard spec)	1040	1340	1016	1316	2177	2477	2917	2153	2453	2893
Unladen Weight KG (standard spec)	460	460	484	484	523	523	583	547	547	607
DIMENSIONS										
(A) Internal Width (mm)	1180	1180	1430	1430	1180	1180	1180	1430	1430	1430
(B) Internal Length (mm)	2465	2465	2465	2465	2465	2465	2465	2465	2465	2465
(C) Overall Width (mm)	1820	1820	2070	2070	1820	1820	1820	2070	2070	2070
(D) Overall Length (mm)	3776	3776	3776	3776	3776	3776	3776	3776	3776	3776
Side Height (mm)	340	340	340	340	340	340	340	340	340	340
(E) Bed Height (mm)	395	395	395	395	395	395	395	395	395	395
(F) Mesh Side Kit Height (mm)	810	810	810	810	810	810	810	810	810	810
RUNNING GEAR										
Axles	1	1	1	1	2	2	2	2	2	2
Pivot Axle System	-	-	-	-	○	○	○	○	○	○
165 R13 8 Ply Wheel & Tyre Assembly	-	-	-	-	●	-	-	●	-	-
175R13 8 Ply Wheel & Tyre Assembly	●	-	●	-	-	●	-	-	●	-
185/70 R13 Wheel & Tyre Assembly	-	●	-	●	-	-	●	-	-	●
Spare Wheel & Carrier	●	●	●	●	●	●	●	●	●	●
Recessed Lashing Rings (4 pairs)	●	●	●	●	●	●	●	●	●	●
Cast Steel Coupling Head	●	●	●	●	●	●	●	●	●	●

● Standard Equipment ○ Optional Equipment — Not available

TECHNICAL SPECIFICATION

8' LONG

	TXGD084-15	TXGD084-18	TXGD085-15	TXGD085-18	TXGD084-27	TXGD084-30	TXGD084-35	TXGD085-27	TXGD085-30	TXGD085-35
RUNNING GEAR										
40mm Eye Coupling	○	○	○	○	○	○	○	○	○	○
Wheel Sentry®	○	○	○	○	○	○	○	○	○	○
Pair of Rear Propstands	○	○	○	○	○	○	○	○	○	○
BED & REAR LOADING										
Plywood Flooring	●	●	●	●	●	●	●	●	●	●
1400 Individual Ramps - Pair	○	○	○	○	○	○	○	○	○	○
1400 Full Width Ramp	○	○	○	○	○	○	○	○	○	○
1700 Individual Ramps - Pair	○	○	○	○	○	○	○	○	○	○
1700 Full Width Ramp	○	○	○	○	○	○	○	○	○	○
1700 Individual Double Angle Ramps	○	○	○	○	○	○	○	○	○	○
1700 Full Width Double Angle Ramp	○	○	○	○	○	○	○	○	○	○
Gas-assisted ramps (for full width ramps)	Standard on full-width ramp	Standard on full-width ramp	Standard on full-width ramp	Standard on full-width ramp	Standard on full-width ramp	Standard on full-width ramp	Standard on full-width ramp	Standard on full-width ramp	Standard on full-width ramp	Standard on full-width ramp
Standard tailgate	●	●	●	●	●	●	●	●	●	●
ADDITIONAL OPTIONS										
Ladder Rack	○	○	○	○	○	○	○	○	○	○
Hinged Mesh Side Kit	○	○	○	○	○	○	○	○	○	○
Electric or Manual Winch	○	○	○	○	○	○	○	○	○	○

● Standard Equipment ○ Optional Equipment — Not available

TECHNICAL SPECIFICATION

10' LONG

	TXGD105-27	TXGD105-30	TXGD105-35	TXGD106-27	TXGD106-30	TXGD106-35
CAPACITY						
Gross kg	2700	3000	3500	2700	3000	3500
Payload kg (standard spec)	2113	2413	2853	2089	2389	2829
Unladen Weight kg (standard spec)	587	587	647	611	611	671
DIMENSIONS						
(A) Internal Width (mm)	1430	1430	1430	1730	1730	1730
(B) Internal Length (mm)	2965	2965	2965	2965	2965	2965
(C) Overall Width (mm)	2070	2070	2070	2370	2370	2370
(D) Overall Length (mm)	4273	4273	4273	4273	4273	4273
Side Height (mm)	340	340	340	340	340	340
(E) Bed Height (mm)	395	395	395	395	395	395
(F) Mesh Side Kit Height (mm)	810	810	810	810	810	810
RUNNING GEAR						
Axles	2	2	2	2	2	2
Pivot Axle System	○	○	○	○	○	○
165 R13 8 Ply Wheel & Tyre Assembly	●	-	-	●	-	-
175R13 8 Ply Wheel & Tyre Assembly	-	●	-	-	●	-
185/70 R13 Wheel & Tyre Assembly	-	-	●	-	-	●
Spare Wheel	●	●	●	●	●	●
Recessed Lashing Rings (4 pairs)	●	●	●	●	●	●
Cast Steel Coupling Head	●	●	●	●	●	●

● Standard Equipment ○ Optional Equipment — Not available

TECHNICAL SPECIFICATION

10' LONG

	TXGD105-27	TXGD105-30	TXGD105-35	TXGD106-27	TXGD106-30	TXGD106-35
RUNNING GEAR						
40mm Eye Coupling	○	○	○	○	○	○
Wheel Sentry®	○	○	○	○	○	○
Pair of Rear Propstands	○	○	○	○	○	○
BED & REAR LOADING						
Plywood Flooring	●	●	●	●	●	●
1400 Individual Ramps - Pair	○	○	○	○	○	○
1400 Full Width Ramp	○	○	○	○	○	○
1700 Individual Ramps - Pair	○	○	○	○	○	○
1700 Full Width Ramp	○	○	○	○	○	○
1700 Individual Double Angle Ramps	○	○	○	○	○	○
1700 Full Width Double Angle Ramp	○	○	○	○	○	○
Gas-assisted ramps (for full width ramps)	Standard on full-width ramp	Standard on full-width ramp	Standard on full-width ramp	Standard on full-width ramp	Standard on full-width ramp	Standard on full-width ramp
Standard tailgate	●	●	●	●	●	●
ADDITIONAL OPTIONS						
Ladder Rack	○	○	○	○	○	○
Hinged Mesh Side Kit	○	○	○	○	○	○
Electric or Manual Winch	○	○	○	○	○	○

● Standard Equipment ○ Optional Equipment — Not available

TECHNICAL SPECIFICATION

12' LONG

	TXGD125-27	TXGD125-30	TXGD125-35	TXGD126-27	TXGD126-30	TXGD126-35
CAPACITY						
Gross kg	2700	3000	3500	2700	3000	3500
Payload kg (standard spec)	2073	2373	2813	2047	2347	2787
Unladen Weight kg (standard spec)	627	627	687	653	653	713
DIMENSIONS						
(A) Internal Width (mm)	1430	1430	1430	1730	1730	1730
(B) Internal Length (mm)	3580	3580	3580	3580	3580	3580
(C) Overall Width (mm)	2070	2070	2070	2370	2370	2370
(D) Overall Length (mm)	4886	4886	4886	4886	4886	4886
Side Height (mm)	340	340	340	340	340	340
(E) Bed Height (mm)	395	395	395	395	395	395
(F) Mesh Side Kit Height (mm)	810	810	810	810	810	810
RUNNING GEAR						
Axles	2	2	2	2	2	2
Pivot Axle System	○	○	○	○	○	○
165 R13 Wheel & Tyre Assembly	●	-	-	●	-	-
175R13 8 Ply Wheel & Tyre Assembly	-	●	-	-	●	-
185/70 R13 Wheel & Tyre Assembly	-	-	●	-	-	●
Spare Wheel	●	●	●	●	●	●
2.5T Rated Lashing Points (4 pairs)	●	●	●	●	●	●
Cast Steel Coupling Head	●	●	●	●	●	●

● Standard Equipment ○ Optional Equipment — Not available

TECHNICAL SPECIFICATION

12' LONG

	TXGD125-27	TXGD125-30	TXGD125-35	TXGD126-27	TXGD126-30	TXGD126-35
RUNNING GEAR						
40mm Eye Coupling	○	○	○	○	○	○
Wheel Sentry®	○	○	○	○	○	○
Pair of Rear Propstands	○	○	○	○	○	○
BED & REAR LOADING						
Plywood Flooring	●	●	●	●	●	●
1400 Individual Ramps - Pair	○	○	○	○	○	○
1400 Full Width Ramp	○	○	○	○	○	○
1700 Individual Ramps - Pair	○	○	○	○	○	○
1700 Full Width Ramp	○	○	○	○	○	○
1700 Individual Double Angle Ramps	○	○	○	○	○	○
1700 Full Width Double Angle Ramp	○	○	○	○	○	○
Gas-assisted ramps (for full width ramps)	Standard on full-width ramp	Standard on full-width ramp	Standard on full-width ramp	Standard on full-width ramp	Standard on full-width ramp	Standard on full-width ramp
Standard tailgate	●	●	●	●	●	●
ADDITIONAL OPTIONS						
Ladder Rack	○	○	○	○	○	○
Hinged Mesh Side Kit	○	○	○	○	○	○
Electric or Manual Winch	○	○	○	○	○	○

● Standard Equipment ○ Optional Equipment — Not available

PRO SUPPORT

OUR AFTERSALES PACKAGE.

PROFUND

Looking to spread the cost? Finance is a simple, easy and competitive way to acquire your new trailer. We offer finance options across our range to help you get the equipment you need, when you need it. We can tailor our deals to suit your requirements - be it hire purchase, lease or whatever works best for your business. Get in touch with us today to find out how we can support your trailer needs! Email sales@towmatetrailers.com or call us on 01206 589550. Terms and conditions apply.

WARRANTY

We believe in supporting our customers from point of purchase, all the way through to maintenance and repair. Our team are here to help you get the most out of your product. Towmate warranty is a no quibble warranty. Providing genuine Towmate parts are purchased, and the trailer is maintained with our recommended service schedule, your Towmate product is covered. We offer a 3-year warranty on our Pro range. Terms and conditions apply.

SERVICING

We know how important it is to keep your trailers running and transporting your equipment and machinery to site. Ensuring your trailer stays safe and road worthy means regular servicing is necessary and essential. That's why we offer a comprehensive service package, freeing you up to spend time on what you do best - serving your customers. We take the hassle and headache out of maintenance, helping you to run efficiently, minimise your downtime and keep your trailers running - day-in, day-out. Our parts are available for despatch on next working day delivery from our sister company ATE (UK) Ltd. Get in contact today to find out more how we can help you!



TOWMATE
TRAILERS

DISTRIBUTED BY:

